



25cd Low-intensity Obstruction Light - Photocell and Flasher 230VAC

Defence Infrastructure Organisation - Ministry of Defence

CEL-LI-25-230-PCFL - LED Aircraft Warning Light

Key Features

- Based on LED technology
- Extremely reliable long lifetime
- Suitable for off-shore use
- Very low power consumption
- 230V_{AC} input voltage
- Stabilised light output
- Lightweight and small - low wind load factor
- Easy to install, several mounting sets available
- Two cable glands, easy to chain without terminal boxes
- No RF-radiations
- Five (5) year warranty

Benefits

- Long maintenance intervals
- Low energy cost
- Supply power voltage variations do not affect light output
- Very low total lifetime costs
- Low wind load

Specifications met

- Satisfies Ministry of Defence minimum vertical obstruction lighting criteria
- Recommended Standards and Practices
- Defence Estates

Optical characteristics

- Intensity better than 25cd
- Colour aviation red
- Horizontal radiation pattern 360°
- Vertical radiation pattern 15°
- LED supply current stabilised by constant current generator
- Light output degradation less than 30% after 100,000hrs of operation

Electrical characteristics

- Nominal operating voltage 230V_{AC}
- Power consumption less than 4VA 3W
- Operating voltage range 210 to 250V_{AC}
- Over voltage protection

Mechanical characteristics

- Anodised marine grade aluminium body and end parts
- AISI 316 acid proof steel screws
- Colourless (clear) glass cover
- Terminal box for 1.5-6 mm² wires
- Degree of protection IP 65
- Operating temperature range -55°C to +55°C
- Height 210mm, diameter 104mm, weight 1.1 kg
- Wind load with CEL-MS-EV60 mounting kit@ 200 km/h less than 40 N

Options

- Mounting kits
- Light unit without Photocell & flasher: CEL-LI-25-230-F

Order Code: **CEL-LI-25-230-PCFL**



CEL-LI-25-230-PCFL LED obstacle light

Photocell characteristics

- Turn on delay 1s
- Turn off delay 200s
- User selectable photocell sensitivity (bold = factory default)
OFF/200 lux/400 lux/ **800 lux**

Flash controller characteristics

- User selectable flashing rate (bold = factory default)
Steady burning/20fpm/ 40fpm/ 60fpm
- 250ms flash duration



T: +44 (0)20 8540 1034
F: +44 (0)20 8543 3058
E: info@contarnex.com

Contarnex Europe Limited
252 Martin Way,
Morden, Surrey SM4 4AW
United Kingdom



25cd Low-intensity Obstruction Light - Photocell and Flasher 230Vac

Defence Infrastructure Organisation - Ministry of Defence

CEL-LI-25-230-PCFL - LED Aircraft Warning Light

ELECTRICAL INSTALLATION INSTRUCTIONS

CEL-LI-25-230-PCFL have two cable glands for easy chaining without external distribution boxes

CEL-LI-25-230-PCFL is an obstacle light utilising LED technology. The cabling and installation principles are similar to those of conventional obstacle lights.

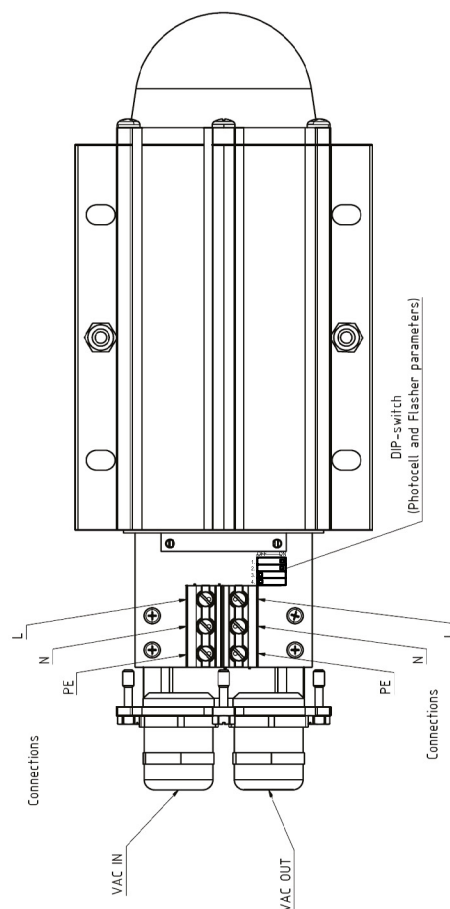
Connection can be protected with a 6A or 10A fuse or with a circuit breaker (C curve).

Installation specifications

- Cable gland: M25
- Cable diameter: 11 to 17mm
- Wire diameter: max. 6mm²
- Recommended cable: 3x1.5mm² or 3x2.5mm²

Options

- **CGS-20:** Smaller cable glands
Set include 2 pcs M20 gable glands with M25-M20 adapters for 7-13mm cables

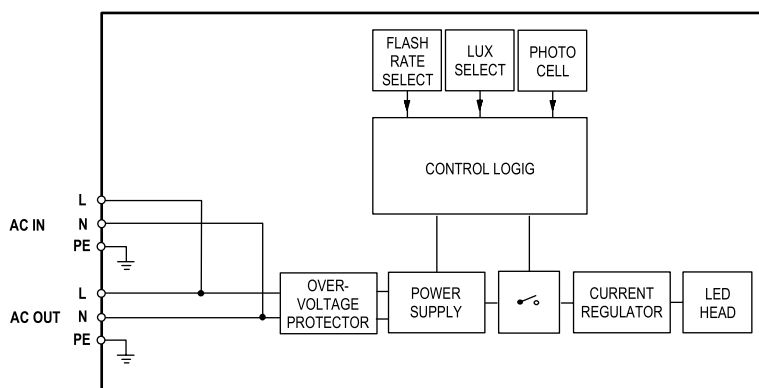


PCFL DIP switches

DIP1	DIP2	PHOTOCELL	OFF	ON	DIP3	DIP4	FLASH RATE
OFF	OFF	OFF (light always ON)	1.	<input type="checkbox"/>	OFF	OFF	STEADY BURNING
ON	OFF	200 lux	2.	<input type="checkbox"/>	ON	OFF	20 fpm
OFF	ON	400 lux	3.	<input type="checkbox"/>	OFF	ON	40 fpm
ON	ON	800 lux	4.	<input type="checkbox"/>	ON	ON	60 fpm

**Default DIP settings:
800 lux, steady burning**

Flash Duration 250 ms



CEL-LI-25-230-PCFL block diagram

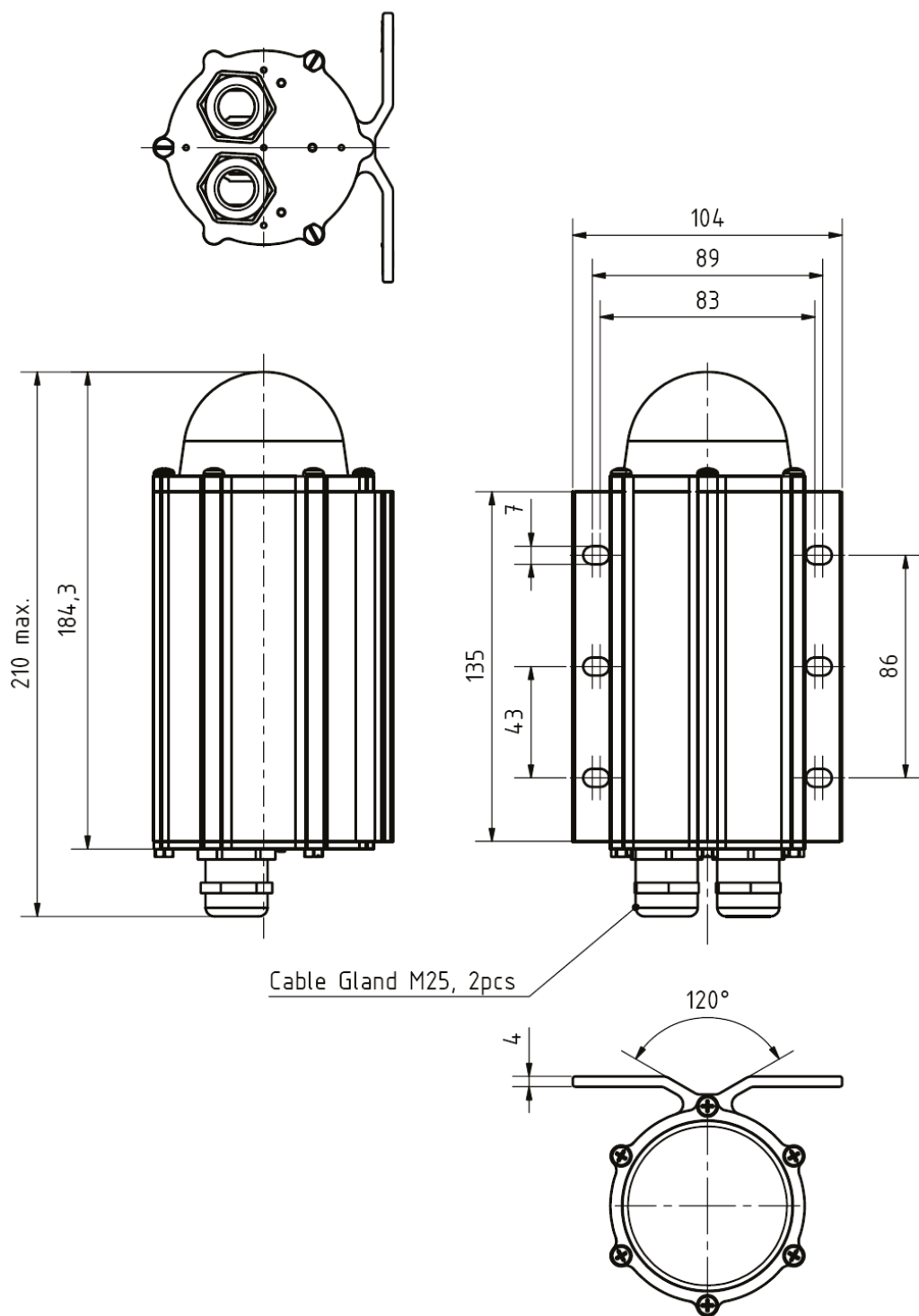


25cd Low-intensity Obstruction Light - Photocell and Flasher 230VAc

Defence Infrastructure Organisation - Ministry of Defence

CEL-LI-25-230-PCFL - LED Aircraft Warning Light

Mechanical dimensions



25cd Low-intensity Obstruction Light - Photocell and Flasher 230VAc

Defence Infrastructure Organisation - Ministry of Defence

CEL-LI-25-230-PCFL - LED Aircraft Warning Light

There are several types of mounting sets available as option:

CEL-MS-HV80

Mounting set for 33-80 mm vertical or horizontal pipe

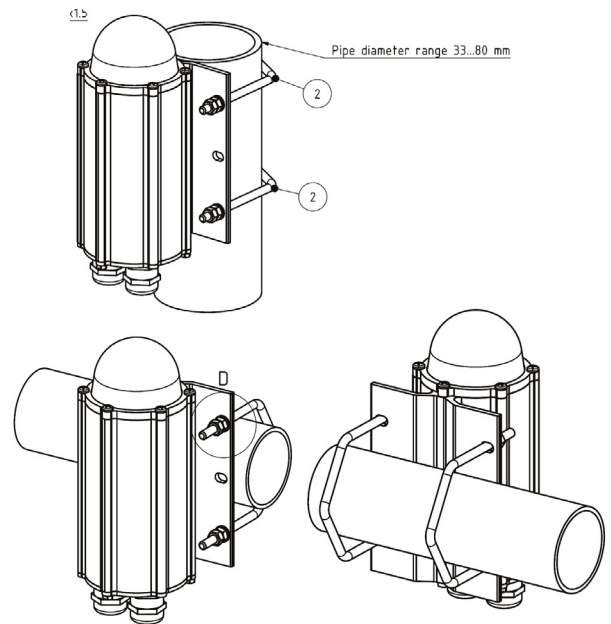
Mounting set includes:

- 2 pcs M6 U-bolt
- 8 pcs M6 hex nut
- 4 pcs 6/12 mm washer

All parts AISI 316 acid proof steel

More detailed mechanical data: CEL-MS-HV80 datasheet

Order Code: **CEL-MS-HV80**



CEL-MS-EV60

Mounting set with extension plate for 30-60mm vertical pipe installation

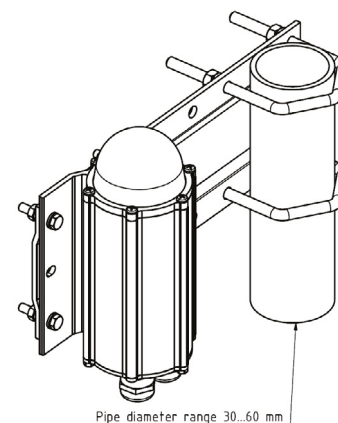
Mounting set include:

- 2 pcs M8 U-bolt, 8 pcs M8 hex nut
- 4 pcs M6x30 bolt, 8 pcs M6 hex nut, 4 pcs 6/12 washer
- 1 pcs extension plate

Extension plate marine grade anodised aluminium, other parts AISI 316 acid proof steel

More detailed mechanical data: CEL-MS-EV60 datasheet

Order Code: **CEL-MS-EV60**



CEL-MS-EV100:

Mounting set with extension plate for 60-100 mm vertical pipe installation

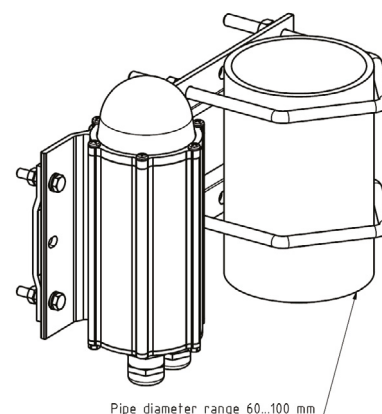
Mounting set include:

- 2 pcs M8 U-bolt, 8 pcs M8 hex nut
- 4 pcs M6x30 bolt, 8 pcs M6 hex nut, 4 pcs 6/12 washer
- 1 pcs extension plate

Extension plate marine grade anodised aluminium, other parts AISI 316 acid proof steel

More detailed mechanical data: CEL-MS-EV100 datasheet

Order Code: **CEL-MS-EV100**



25cd Low-intensity Obstruction Light - Photocell and Flasher 230VAc

Defence Infrastructure Organisation - Ministry of Defence

CEL-LI-25-230-PCFL - LED Aircraft Warning Light

CEL-MS-EV150:

Mounting set with extension plate for 100-150mm vertical pipe installation

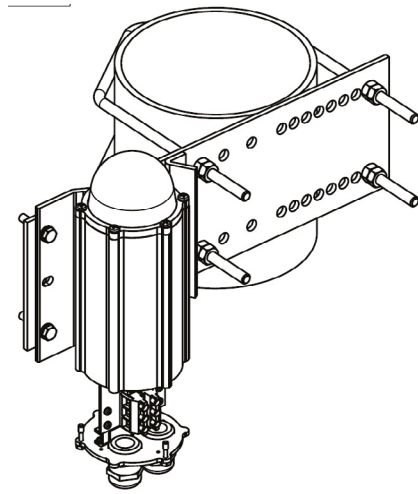
Mounting set includes:

- 2 pcs M8 U-bolt, 8 pcs M8 hex nut
- 4 pcs M6x30 bolt, 8 pcs M6 hex nut, 4 pcs 6/12 washer
- 1 pcs extension plate

Extension plate hot dipped galvanised steel, other parts AISI 316 acid proof steel

More detailed mechanical data: CEL-MS-EV150 datasheet

Order Code: **CEL-MS-EV150**



CEL-MS-DEV60:

Double mounting set with extension plate for 30-60mm vertical pipe installation

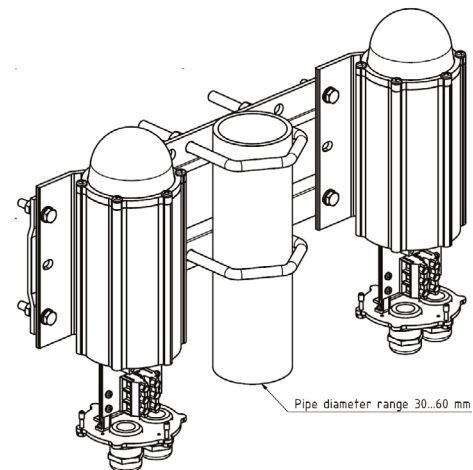
Mounting set includes:

- 2 pcs M8 U-bolt, 8 pcs M8 hex nut
- 8 pcs M6x30 bolt, 16 pcs M6 hex nut, 8 pcs 6/12 washer
- 1 pcs extension plate

Extension marine grade anodised aluminium, other parts AISI 316 acid proof steel

More detailed mechanical data: CEL-MS-DEV60 datasheet

Order Code: **CEL-MS-DEV60**



CEL-MS-DEV100:

Double mounting set with extension plate for 60-100mm vertical pipe installation

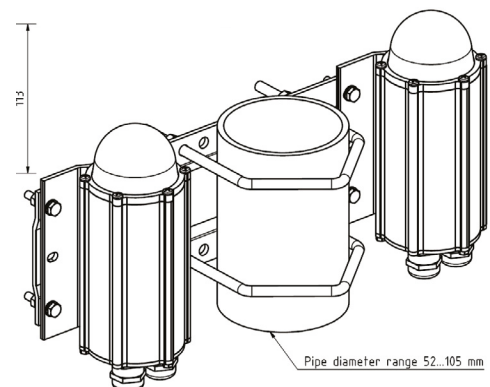
Mounting set includes:

- 2 pcs M8 U-bolt, 8 pcs M8 hex nut
- 8 pcs M6x30 bolt, 16 pcs M6 hex nut, 8 pcs 6/12 washer
- 1 pcs extension plate

Extension marine grade anodised aluminium, other parts AISI 316 acid proof steel

More detailed mechanical data: CEL-MS-DEV100 data sheet

Order Code: **CEL-MS-DEV100**



25cd Low-intensity Obstruction Light - Photocell and Flasher 230VAc

Defence Infrastructure Organisation - Ministry of Defence

CEL-LI-25-230-PCFL - LED Aircraft Warning Light

CEL-MS-RW

Mounting set for horizontal plate or wall installation

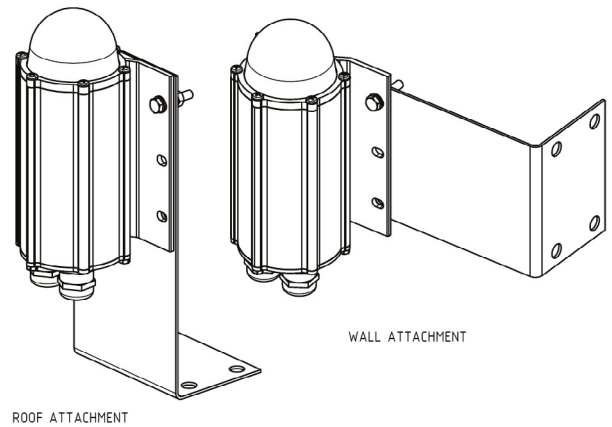
Mounting set includes:

- 4 pcs M6x30 bolt, 8 pcs M6 hex nut, 4 pcs 6/12 washer
- 1 pcs L -shape 2mm plate

All parts AISI 316 acid proof steel

More detailed mechanical data: CEL-MS-RW datasheet

Order Code: **CEL-MS-RW**



CEL-MS-LVU

Mounting set for L and V -shape profiles

Mounting set includes

- 1 set accessories for light unit fitting to plate
- 1 pcs extension plate with adjusting plate and accessories

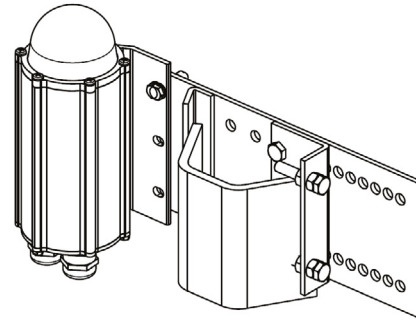
Extension plate hot dip galvanised steel, other parts

AISI 316 acid proof steel

More detailed mechanical data: CEL-MS-LVU datasheet

Order Code: **CEL-MS-LVU** (with galvanized extension plate)

CEL-MS-LVA (with AISI 316 extension plate)



CEL-MS-N1B

Mounting set for 1" NPT at bottom

More detailed mechanical dimensions: CEL-MS-N1B dataheet

Order Code: **CEL-MS-N1B**

